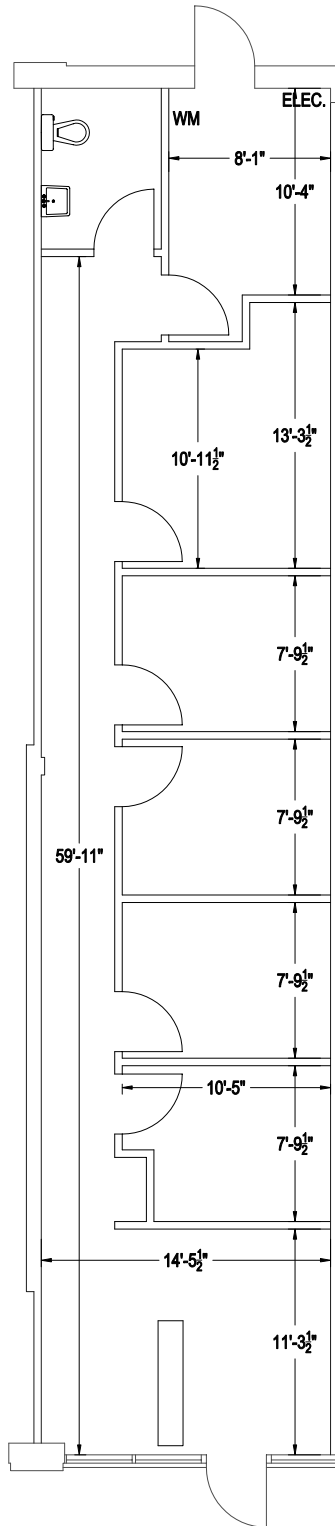


MEASURED PER BOMA
2010 RETAIL STANDARD



10'0" CEILING HT.

TOTAL RENTABLE AREA: 1,045 SF

PREPARED FOR:



VACANT CHIRO
HALTON HILLS VILLAGE
369 MOUNTAINVIEW ROAD SOUTH
GEORGETOWN, ONTARIO

NORTH:



PREPARED BY:



DATE:

12 JANUARY 2020

FILE:

369-MOUNT.dwg

SCALE:

NTS